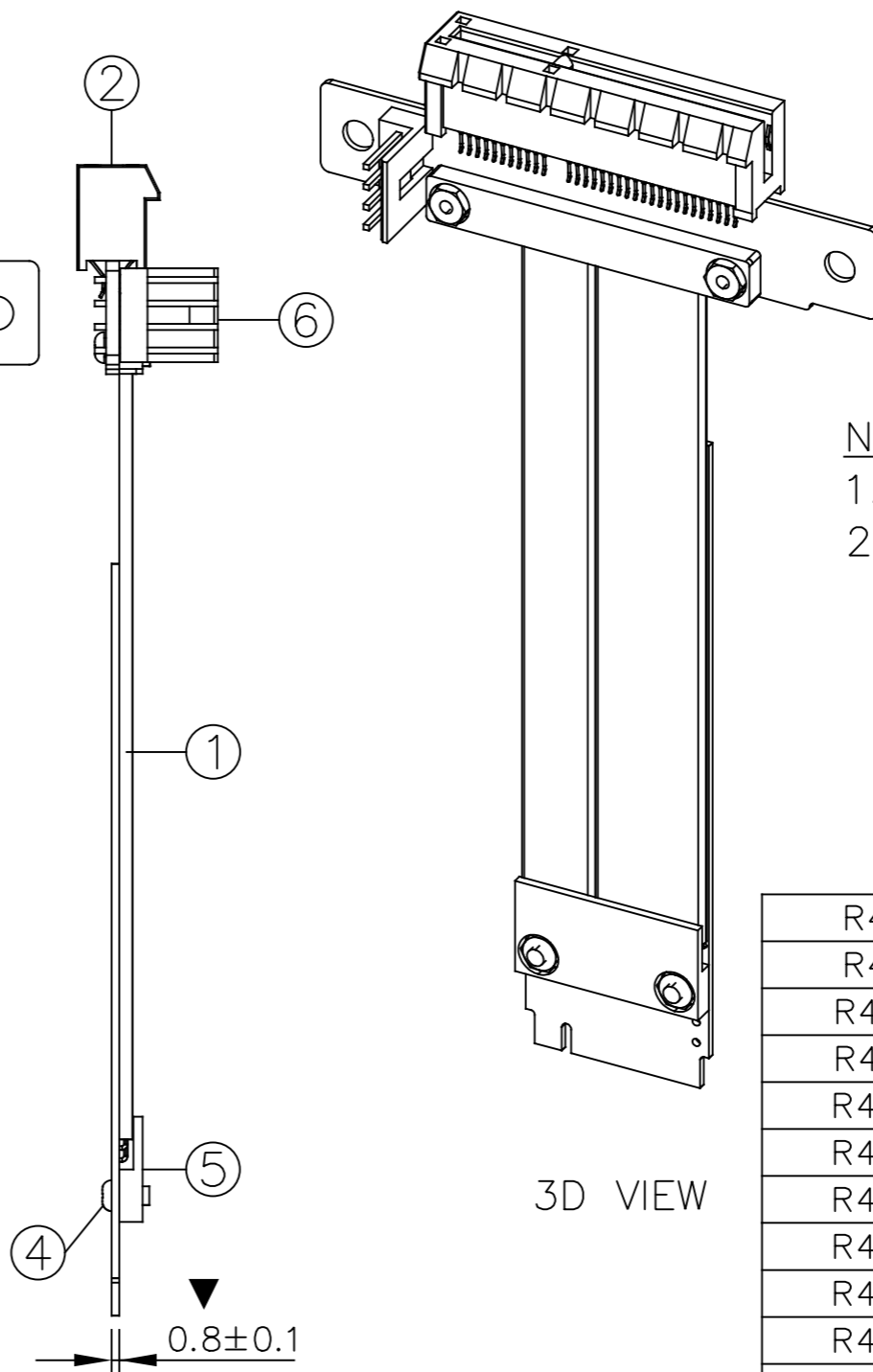
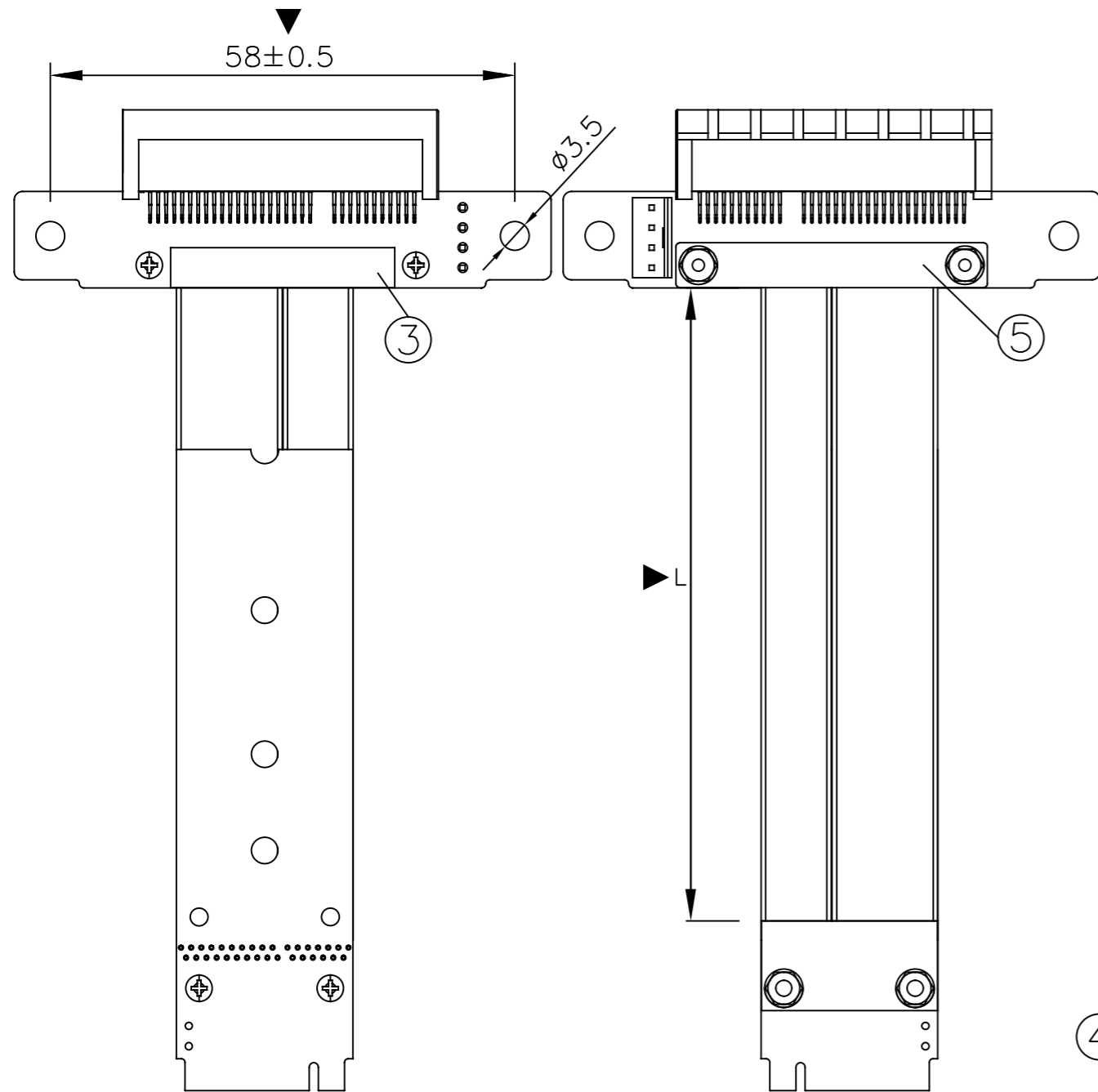


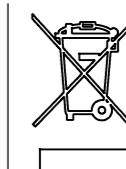
MATERIAL MUST BE ACCORD WITH RoHS STANDARD

版本 REV.	变更内容 DESCRIPTION	变更号 ECN No.	日期 DATE
1.0	ISSUE	REL	2020-01-15



NOTE

- 1.100% PCIe 3.0x4 32Gb/s TEST.
- 2.DIMSION MARK "▼" BY QC CHECK.



R42SF-3cm	30±5
R42SF-5cm	50±5
R42SF-10cm	100±5
R42SF-15cm	150±5
R42SF-20cm	200±10
R42SF-25cm	250±10
R42SF-30cm	300±20
R42SF-40cm	400±20
R42SF-50cm	500±20
R42SF-80cm	800±30
Part-Number	Length (mm)

# ADT-LINK

6	Connector	4P 2.54mm Pitch FLOPPY CONNECTOR	
5	PAD	3mm thickness FR4 PCB PAD	2Pcs
4	Screw	M2 screw & hex nut	4Pcs
3	Tape	Acetate cloth tape	1Pcs
2	Connector	PCI-E x4 64P Open Type Connetor	2Pcs
1	CABLE	HIGH SPEED FLAT CABLE,(WIRE20P=30AWG×12P,28AWG×8P),PE JACKET: BLACK,OD=1.4×13.2mm (95±15Ω),TPE	2Pcs
No.	PART NO.	DESCRIPTION	Q'TY

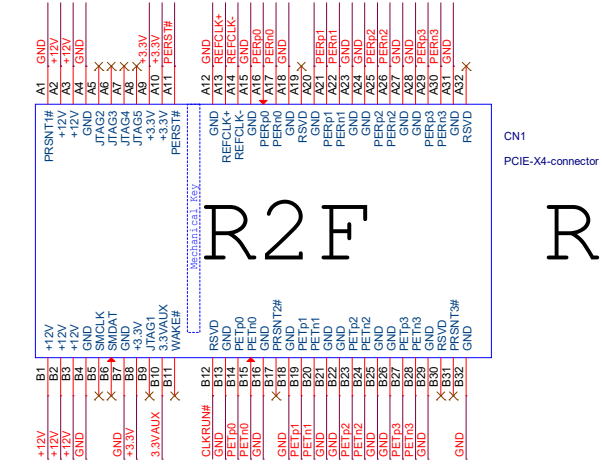
TITLE: M.2 NVME to PCI-E x4 Extension CABLE L=3~80cm		DWG NO.: ADT-R4S-R2F-001	
		CUSTOMER NO.: ADT	
		CUSTOMER P/N: R42SF-xxxxcm	
	SCALE	UNIT	CUS REV.
	NONE	mm	1.0
			HY REV.
			1.0
			DATE
			2020-01-15
			SHEET
			1/1
DRAWING/制图		CHECKED/审核	
		APPROVED/核准	

Model Name: R42SF

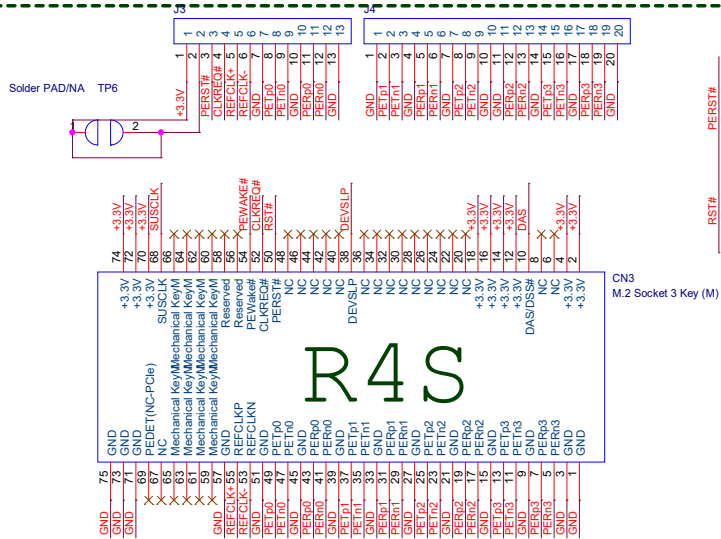
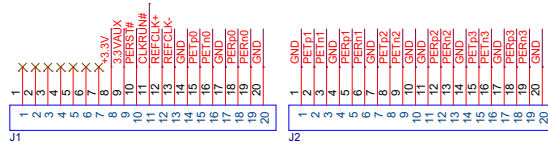
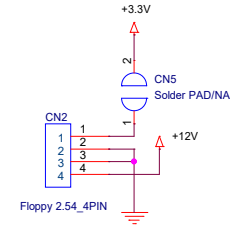
Product Name: M.2 NVMe to PCIe x4 extender

Revision History

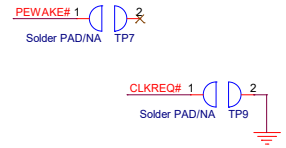
Date	Version	Description
20161203	1.0	First Release
20181203	2.0	Add 3.3VAUX
20190603	2.1	Add CLKRUN#



R2F V2.1

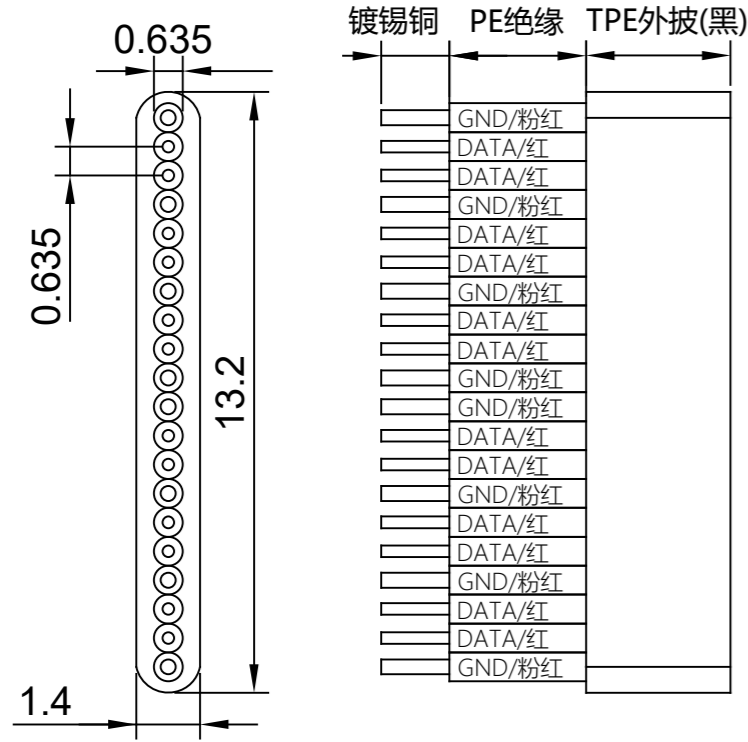


R4S V2.4



Title		
M.2 NVMe to PCIe x4 Extender		
Size	Document Number	Rev
A3	R42SF	1.0
Date:	Wednesday, January 15, 2020	Sheet 1 of 1

**PROPRIETARY AND CONFIDENTIAL**  
 THE INFORMATION CONTAINED IN THIS DRAWING IS THE SOLE PROPERTY OF ADT-LINK ANY  
 REPRODUCTION IN PART OR AS A WHOLE WITHOUT THE WRITTEN PERMISSION OF ADT-LINK IS PROHIBITED



**WIRE :**

Conduct: Solid(单芯)  
 AWG size: 30 AWG  
 Material: Tin-plating copper(镀锡铜)

**INSULATION :**

Material of insulation: TPE red/pink (Halogen Free)  
 Insulation thickness average: 0.19mm  
 Minimum insulation thickness: 0.17mm

**JACKET :**

Material of insulation: PE Black(Halogen Free)

**PHYSICAL PROPERTIES :**

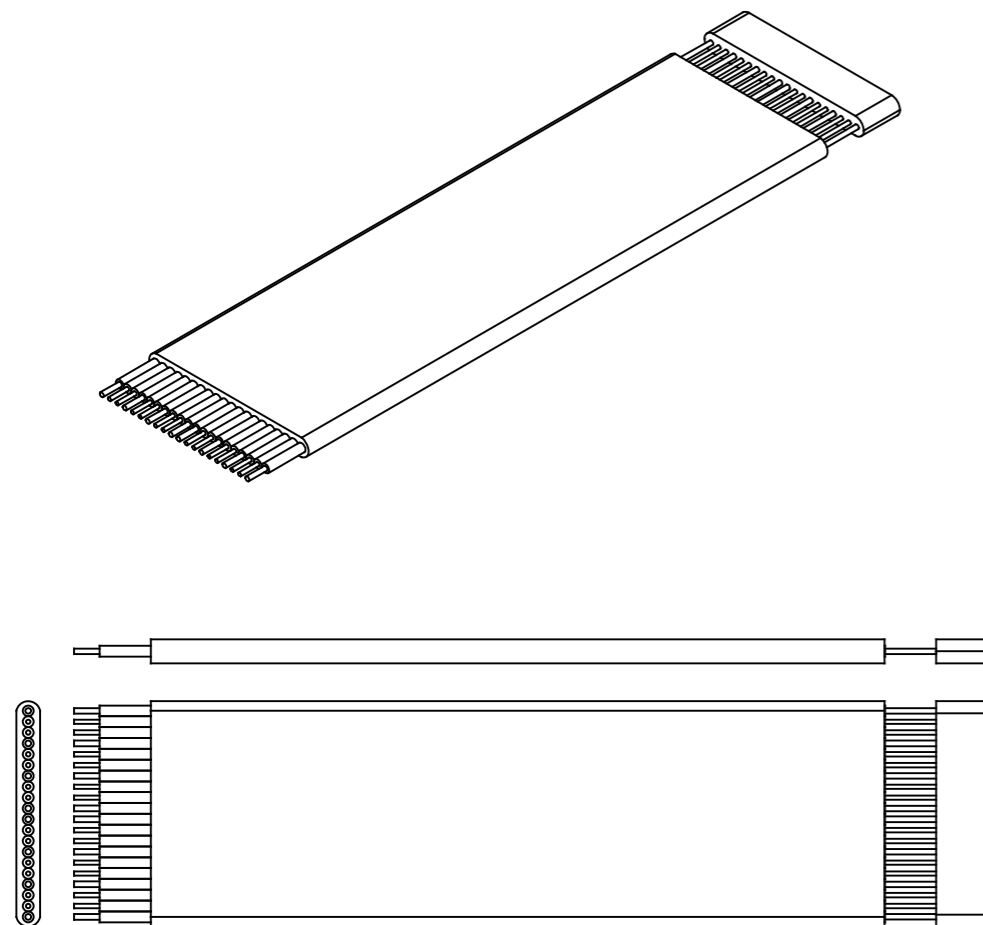
After 7 days air oven at -20°C to 80°C  
 Percent of original: 65% at least  
 Average elongation: 180%  
 Percent of original: 55% at least

**ELECTRONIC CHARACTERISTICS :**

Spark test: 1200V  
 Dielectric strength test: Minimum 600V in 1 miute  
 Conductor Maximum: Maximum 365/Km  
 Insulation resistance: Minimum 95MΩ-Km  
 Differential Impedance: 95Ω  
 Attenuation: -6 dB Max.  
 Next: -26dB. Min. / 3G Hz  
 Pair match impedance: ±5Ω  
 Skew: 15 ps max.  
 Rise time: 110 ps Max.

**MARKING :**

**PACKAGE :**



APPROVED:	- TOLERANCES -		UNIT:	TITLE :	SHEET
	General	Angles	mm		1/1
ENGINEER:	30~	0°	SCALE:	DRAWING NUMBER:	SIZE
CHECKED:	10~30	0.0°	1:1	Date	A4
DRAWN:	5~10			<b>ADT-LINK</b>	
	0~5				
					A/0

